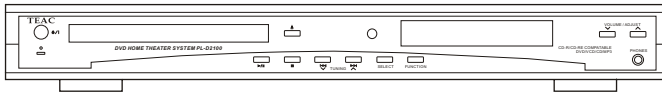


TEAC



SERVICE MANUAL

PL-D2100A

DVD Home Theater System



NOTES

- PC board shown are viewed from parts side.
- The parts with no reference number or no parts number in the exploded views are not supplied.
- As regards the resistors and capacitors, refer to the circuit diagrams contained in this manual.
- ⚠ Parts marked with this sign are safety critical components. they must be replaced with identical components - refer to the appropriate parts list and ensure exact replacement.
- Parts of [] mark can be used only with the version designated.
[E]: EUROPE [SAF]: SOUTH AFRICA
[SG]: SINGAPORE [HK]: HONG KONG

CONTENTS

1 SPECIFICATIONS	2
2 EXPLODED VIEW AND PARTS LIST	3
3 PC BOARDS AND PARTS LIST	7
4 WIRING DIAGRAM	17
5 INCLUDED ACCESSORIES	18

PL-D2100A

PL-D2100A (New version for PL-D2100) had been produced since July 2004 from Serial Number 4600001. There is a circle A mark below the main unit label and also a circle A mark besides the serial number of the main unit of PL-D2100A. Circle A mark on the serial number label is also shown on the Carton Box of PL-D2100A.

PL-D2100A

1 SPECIFICATIONS

DVD Player

Pickup :	Semiconductor laser, Wavelength 650 nm
Signal system :	NTSC / PAL
Video signal horizontal resolution :	More than 480 lines (DVD)
Video signal-to-noise-ratio :	More than 55 dB (DVD)
Audio frequency response (at 2 CH stereo mode) :	20 Hz ~ 20 kHz (+1/-3dB)
Audio signal-to-noise ratio :	More than 80 dB
Total harmonic distortion :	Less than 0.01%

FM Tuner

System:	PLL quartz-locked digital synthesizer system
Tuning range :	87.5 ~ 108.0 MHz (50 kHz step)
Antenna terminals :	75 ohms, unbalanced
Intermediate frequency :	10.7 MHz

AM Tuner

System:	PLL quartz-locked digital synthesizer system
Tuning range :	522 ~ 1620 kHz (9 kHz interval)

Video outputs

CVBS Video :	1 Vp-p 75 ohms
S-video :	Y: 1 Vp-p 75 ohms, C:0.3 Vp-p 75 ohms
AV Connector :	SCART x 1

Audio outputs

Line outputs :	300mVrms, 2.2 kilo ohms
Output Power : (Stereo, 0.2% THD, 20Hz to 20kHz, 8 ohm)	30W + 30W
Surround Output Power : (0.7% THD, 1kHz, 8 ohm, only on channel driven)	30W per channel

General

Power requirements :	230V AC, 50 Hz (Europe model)
Power consumption :	120 W (STAND BY: less than 0.5W)
Dimension (W x H x D):	430 x 348 x 48 mm
Weight:	4.1 kg
Operating temperature:	5°C ~ 35°C (40°F ~ 95°F)
Operating humidity:	5% ~ 90%
Storage temperature:	-20°C ~ 55°C (-4°F ~ 131°F)

Active Subwoofer

Output Power :	75 W (80 Hz, THD 10%)
Speaker unit :	16.5 cm, cone type
Weight :	7.0 kg
Dimension (W x H x D):	200 x 300 x 321mm
Power consumption :	70 W

Speakers

Input Power :	30 W maximum
Speaker unit :	75 mm (Front/Surround) 65 mm x 2 (Center)

Rated impedance :	4 ohms
Dimension (W x H x D):	90 x 130 x 81mm (Front/Rear) 200 x 77 x 81mm (Center)
Weight :	0.8 kg (Front)/0.6kg (Surround) /1kg (Center)

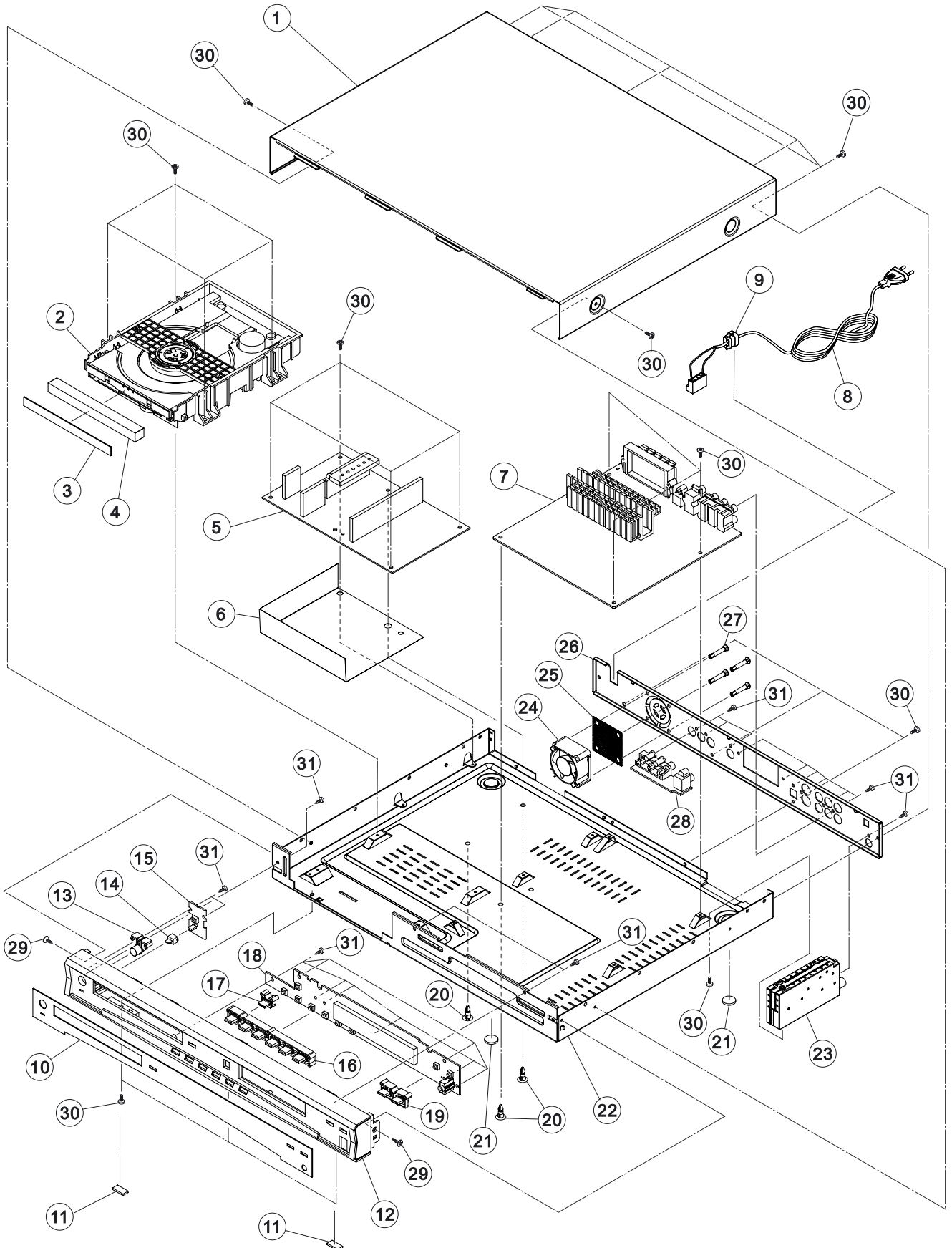
Accessories

Front/Center speaker cable (5 m x 3)
Surround speaker cable (10 m x 2)
Subwoofer RCA pin cord (1.8 m)
AM loop antenna x 1
FM antenna x 1
RCA video cable x 1
Remote control unit x 1
Batteries (AA, R6, SUM-3) x 2

- Design and specifications are subject to change without notice.
- Weight and dimensions are approximate.
- Illustrations may differ slightly from production model.



2 EXPLODED VIEW AND PARTS LIST

EXPLODED VIEW-1

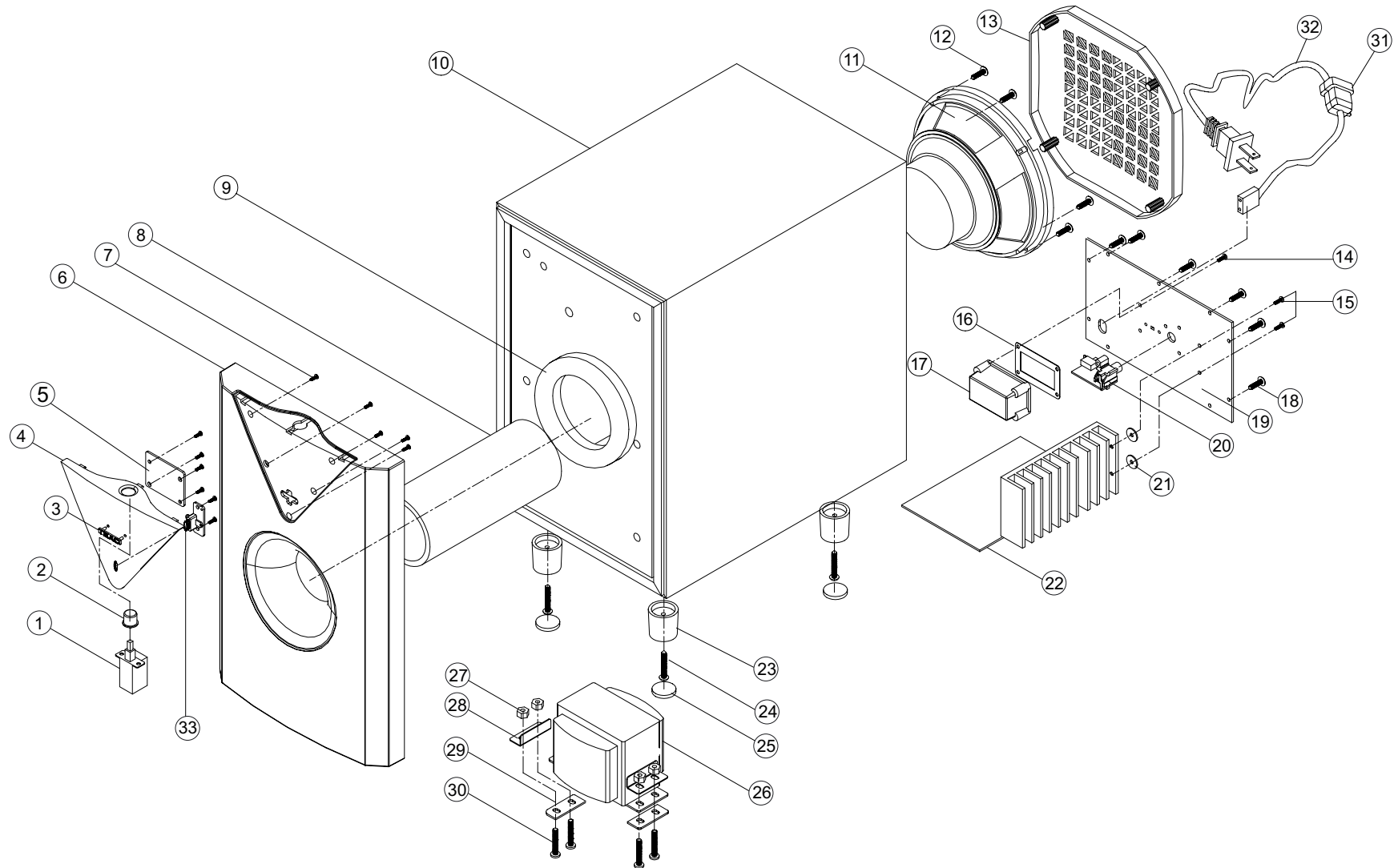


PL-D2100A

EXPLODED VIEW - 1




REF. NO	PARTS NO.	DESCRIPTION	REMARKS
1-1	GSE200059-0009	TOP CABINET	
1-2	ASL261620-1101	DVD MECH. HRT21+HRL02 ASSY	
1-3	BPN200025-0001	DOOR LENS	
1-4	BPD200011-0001	DVD DOOR	
1-5	WPC020160-0005	POWER PCB ASSY	
1-6	BEP221002-0001	PVC SHEET- 127.8X115.8X25MM	
1-7	APE200070-0002	MAIN PCB ASSY	
1-8	 VPE003252-0010	LINE CODE 2P - VDE [E, SAF]	
	 VPE1K6253-0020	LINE CORD 3P, BS [HK, SG]	
1-9	DBU001005-0010	BUSHING AC LINE BUSHING	
1-10	BPN200024-0001	FRONT PANEL LENS [E]	
	BPN200024-0002	FRONT PANEL PVC TRANSPARENT [SAF,HK,SG]	
1-11	BRB200006-0001	RUBBER 115.6X6.6X2MM	
1-12	BPF200023-0001	FRONT PANEL	
1-13	BPK218018-0001	POWER KNOB	
1-14	BPN200026-0001	LED LENS	
1-15	APE200752-0003	STANDBY PCB ASSY	
1-16	BPK208017-0001	FUNCTION KNOB	
1-17	BPK228018-0001	OPEN/CLOSE KNOB	
1-18	APE200751-0003	CONTROL PCB ASSY	
1-19	BPK208018-0001	VOLUME KNOB	
1-20	DSS100019-0001	SPACER - A=70 C=1.3-2MM	
1-21	BRB000049-0002	RUBBER - 14X2MM WHITE	
1-22	GSE200064-0101	BOTTOM CABINET	
1-23	WTP000011-0007	TUNER PACK KST-ML104MA1-30	
1-24	FAN021208-0002	DC FAN 12V	
1-25	GSN207001-0001	FAN NET COVER	
1-26	GSE200080-0006	BACK CABINET [HK, SG]	
	GSE200080-0207	BACK CABINET [E, SAF]	
1-27	HOT001004-0001	SNAP RIVET 4X20 BLK	
1-28	APE104210-0002	YUV PCB ASSY [HK,SG]	
	APE201540-0001	SCART PCB ASSY [E, SAF]	
1-29	HSF143084-1060	SCREW STEEL M3X6X0.5P	
1-30	HST143084-1060	SCREW M3X6X0.5P	
1-31	HSP140054-1080	SCREW T3X8X1.06P	

EXPLODED VIEW-2



PL-D2100A

EXPLODED VIEW - 2

REF. NO	PARTS NO.	DESCRIPTION	REMARKS
2-1	MSW003019-0010	SW. PUSH P12	
2-2	BPK106012-0003	POWER KNOB	
2-3	BPL010014-0003	LOGO PLATE	
2-4	BPR111001-0001	SPK TRIM	
2-5	APE100102-0011	SW PCB ASSY	
2-6	BPF105018-0003	SPK, CAB	
2-7	HST140044-3080	SCREW, T2.5XP0.91XL8.0MM	
2-8	DPP016555-1201	PAPER PORT TUBE, OD65XID55XL120MM	
2-9	IVE100089-0002	SPONGE, OD118XID50XT5MM	
2-10	EVM100027-0007	WOOD BOX	
2-11	FSB027565-3110	SPK DRIVER, 6.5 INCH 4OHM	
2-12	HST140071-3140	SCREW, T3.5X14MM BLK	
2-13	BPG001046-0001	GRILLE	
2-14	HST140054-3100	SCREW, M3X10 BLK	
2-15	HST140063-3081	SCREW, T3.0XL8.0XP1.06MM	
2-16	IVE000095-0001	COVER SPONGE, L55XW36XT2MM	
2-17	BPC000021-0001	REAR COVER	
2-18	HST140071-3140	SCREW, T3.5X14MM BLK	
2-19	GSP000026-0017	REAR PLATE	
2-20	APE100089-0001	JACK SWITCH PCB ASSY	
2-21	HWF11C035-6160	FIBER WASHER DIA12XID3.5XT1.6MM	
2-22	APE100092-0004	AMP PCB ASSY	
2-23	BPE00005-0002	FOOT, D25XL25	
2-24	HSD143103-3250	SCREW, M4X20MM BLK	
2-25	ICH008004-0001	RUBBER PAD, D20XT3MM BLK	
2-26	 TT1123001-0040	PWR TRANSFORMER, 230V	
2-27	HNT140700-1300	NUT, M4XOD7.0XT3.0MM	
2-28	GSE000110-0004	BRACKET, TRANSFORMER	
2-29	BRB100028-0002	RUBBER PAD, 50X12XT2MM	
2-30	HSP140091-3250	SCREW, T4X25X0.7MM BLK	
2-31	DBU001002-0011	BUSHING	
2-32	 VPE003012-0010	LINE CORD [E, SAF]	
	 VPE0K6013-0050	LINE CODE [SG, HK]	
2-33	BPN100040-0001	LED LENS	

3 PC BOARDS AND PART LISTS

MAIN PCB ASSY

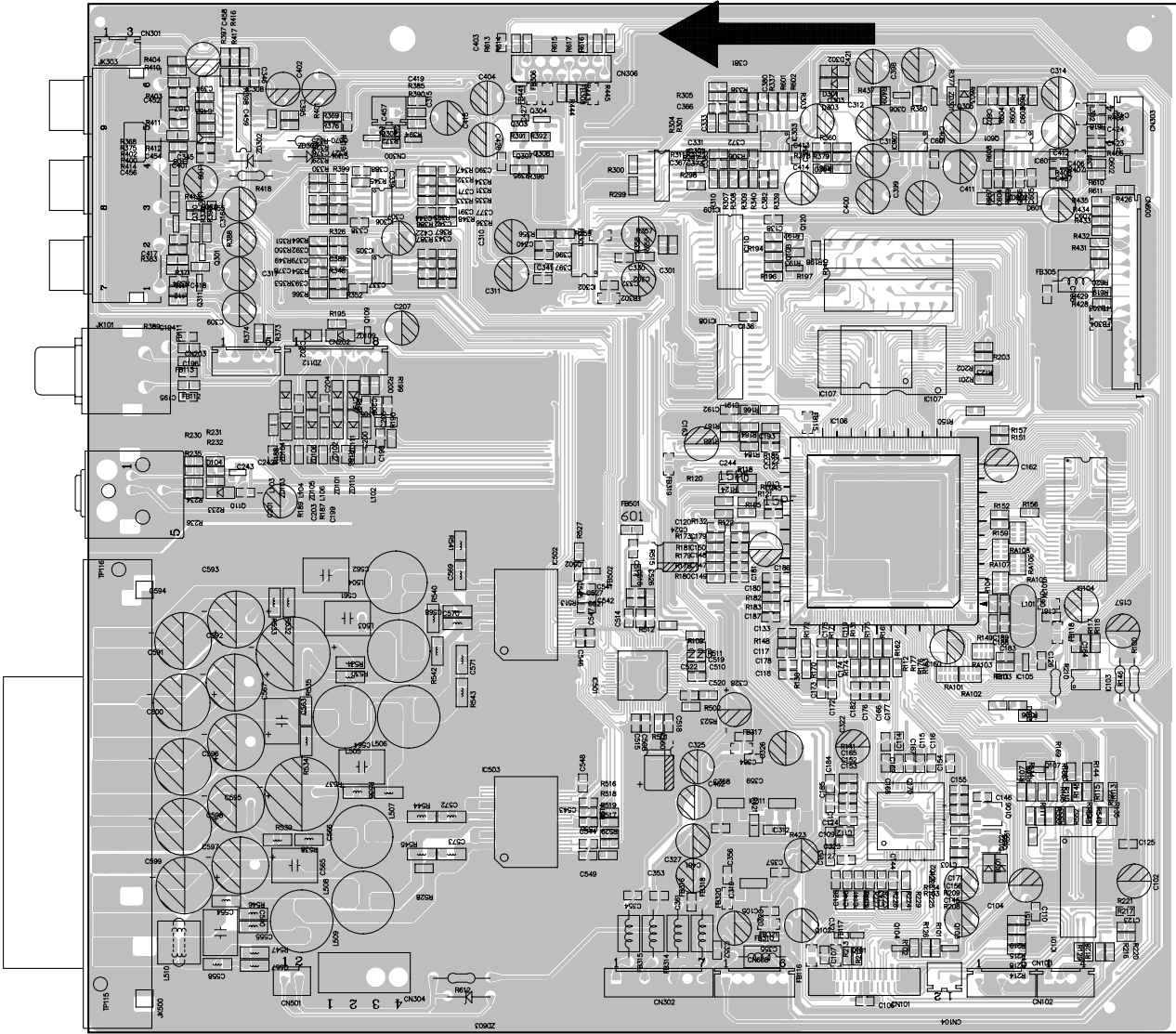
REF. NO	PARTS NO.	DESCRIPTION	REMARKS
	APE200700-0002	MAIN PCB ASSY	
	LFM200070-0001	MAIN PCB	
C561-565	⚠ PFN226380-8240	COND METAL 0.82uF/63V	
C566,567	⚠ PDE039570-1020	CE.1000UF/50V	
CN101	CHC050050-0824	CONNECTOR 24PIN	
CN102,303	CCN200000-0104	CONNECTOR 4PIN	
CN103,203	CCN200000-0105	CONNECTOR 5PIN	
CN104,300	CCN200000-0102	CONNECTOR 2PIN	
CN202	CCN200000-0107	CONNECTOR 7PIN	
CN302	CCN250000-0107	CONNECTOR B7B-XH-A 7PIN	
CN304	CCN396020-0104	CONNECTOR 4PIN	
CN306	CCH125030-2213	CONNECTOR 13PIN	
CN501	CCN250000-0102	CONNECTOR B2B-XH-A 2PIN	
CN600	CCN200000-0114	CONNECTOR 14PIN	
CN608	CCN200000-0106	CONNECTOR 6PIN	
D101-103,301,302, D303,304,601	RCD114148-0011	CHIP DIODE 1N4148W	
EF001	WTP000011-0007	TUNER PACK KST-ML104MA1-30	
FB303,305,317,319, FB320,321	SCB008050-1010	CHIP BEAD 100 OHM	
FB111-113,115-118, FB301,302,304.306, FB308,441,501,502	SCB008050-6010	CHIP BEAD 600 OHM	
FB305,310,314,315, FB316,318	SFB001001-0030	BEAD FERIT 100 OHM	
IC101	RCI005868-0002	IC - AM5868S	
IC102	RCI006603-0001	IC - ES6603S	
IC103	RCI024002-0003	IC - M24C02	
IC104	RCI641620-0001	IC - HY57V641620HGT-6	
IC105	RCI003403-0001	IC - CM3403-29ST	
IC106	RCI006629-0001	IC - ES6629FD	
IC107	RCI390080-0001	IC - SST39VF080	
IC108,109	RCI740374-0003	IC - 74F374D	
IC302	RCI005333-0001	IC - CS5333	
IC303,305,306,601	RCI004558-0003	IC - RC4558D	
IC307	RCI003541-0001	IC - APA3541	
IC308	RCI004052-0002	IC - CD4052BM	
IC310,311	RCI916433-0001	IC - RT9164-33CLR	
IC312	RCI111700-0101	IC - CP1117EA	
IC501	RCI000308-0002	IC - STA308A	
IC502,503	RCI000505-0001	IC - STA505	
JK101	CJC010004-3030	RCA+4PIN 1RCA+4PIN DIN	
JK105	CJT100001-0010	TRANSMITTER MODULE JST1111	
JK303	CJR006301-0040	RCA JACK 6PIN	
JK500	CJS010101-0020	SPK JACK W/SPRING	
L101	SCN023600-3A30	CHIP INDUCTORS 3.3uH	
L102-112	SCN023500-2490	CHIP INDUCTOR 2.4UH	
L301,302	SCN023600-1000	CHIP INDUCTOR 10 uH	
L503-507	SIN002002-3000	INDUCTOR 30uH	

PL-D2100A

MAIN PCB ASSY

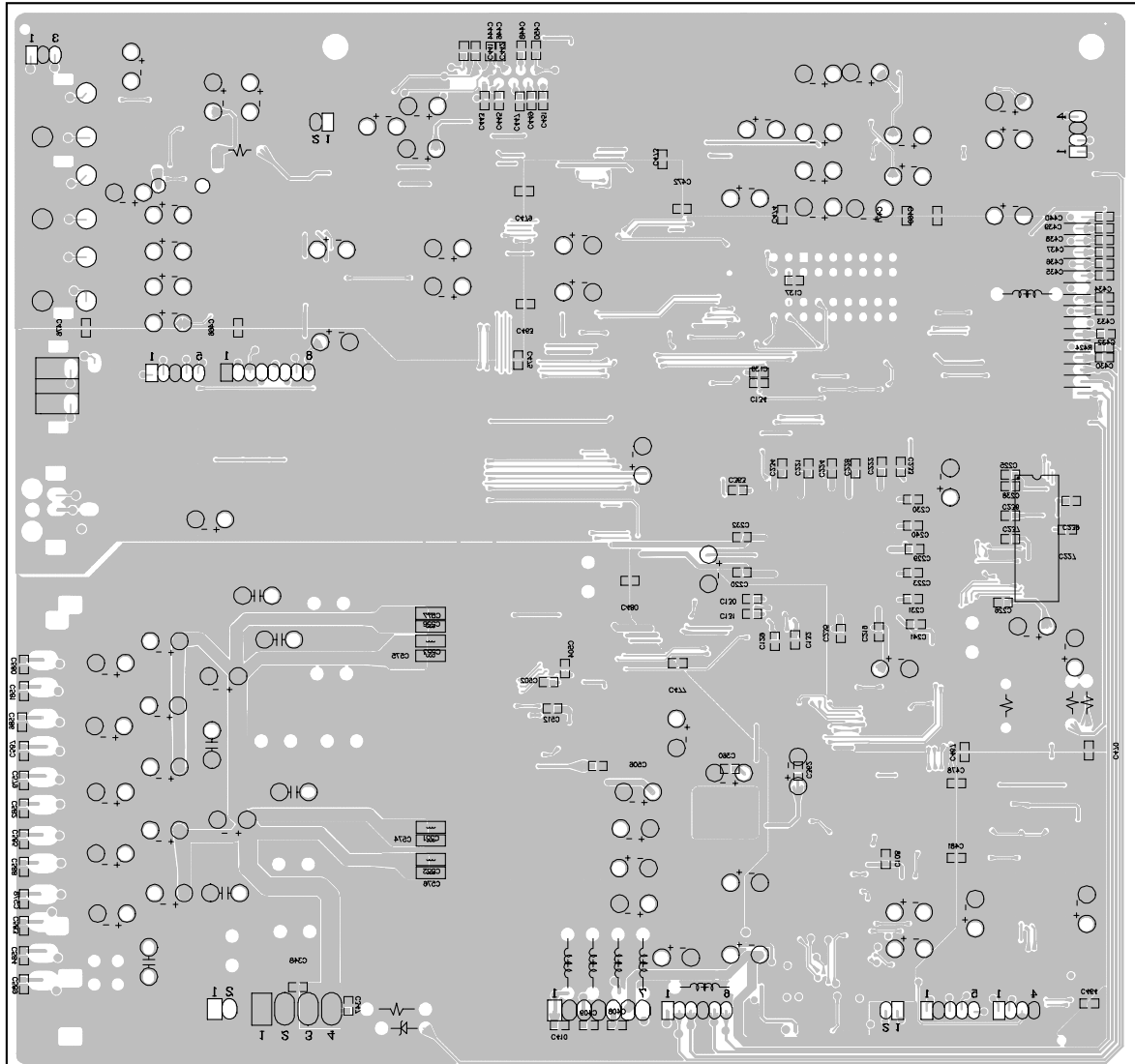
REF. NO	PARTS NO.	DESCRIPTION	REMARKS
Q103,104,108,109, Q120,305-308,310, Q311,312,502,601	RCN005783-0001	TR - CM5783GR	
Q105,106	RCP201132-0003	TR - 2SB1132	
Q107,301-304	RCP200733-0001	TR - 2SA812	
Q602	RCN008050-0001	TR - MMS8050L	
RA101-103,108	QCP015081-3300	RES. ARRAY 4X33 OHM	
RA105,106,107	QCP015081-1000	CHIP ARRAY 10 OHM	
XL101	JQC158100-2760	CRYSTAL 27MHZ	
ZD101-106,110,111, ZD602	RCZ005007-0021	CHIP ZENER 7.5V	
ZD109,301	RCZ005006-0011	CHIP ZENER 5.6V	
ZD112	RCZ005011-0010	DIODE ZENER 11V	
ZD302,303	RAZ005006-0020	DIODE ZENER 5.6-5.9V	
ZD603	RAZ005009-0010	DIODE ZENER 8.5-8.9V	

MAIN PCB - TOP



PL-D2100A

MAIN PCB - BOTTOM

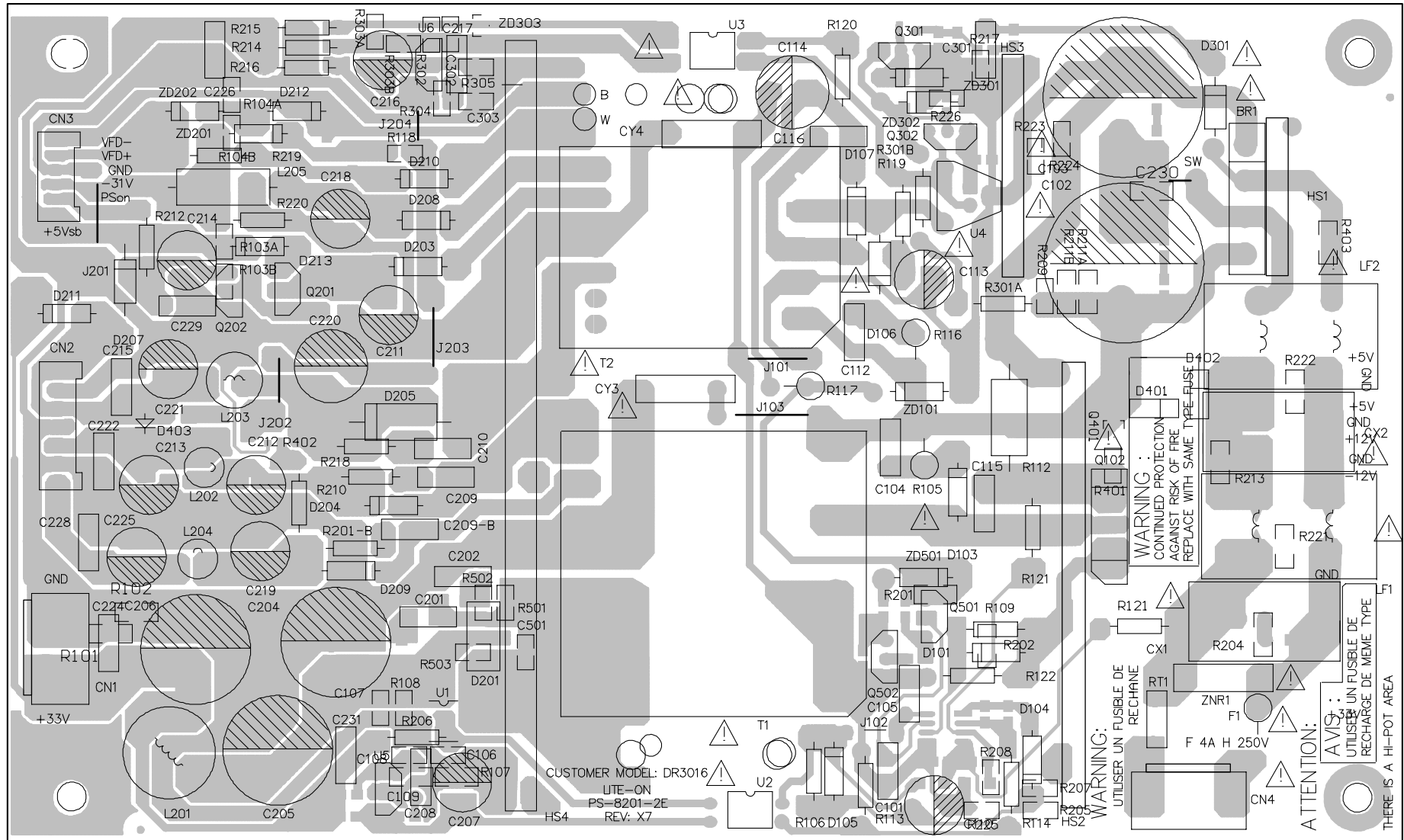


POWER PCB ASSY

REF. NO	PARTS NO.	DESCRIPTION	REMARKS
	WPC020160-0005	POWER PCB ASSY	
	01-M8201211E	POWER PCB	
BR1	△ 33-RGBU40813	BRG GBU408 800V 4A	
C204,205,206	△ 31-F7152M5067	CE. 1500UF/50V	
C220	△ 31-F7222M16663	CE. 2200UF/16V	
C221	△ 31-F7102M10529	CE. 1000UF/10V	
CN1	45-M82012CH3	CNTR+H 4P	
CN2	45-M82012CH2	CNTR+H 7P	
CN3	45-M82012CH1	CNTR+H 6P	
CN4	45-M82011WP4	WAFER SP 4P	
CX1	△ 31-FE474KB550	C.MEX 0.47UF/275V	
CX2	△ 31-FE104KB551	C.MEX 0.1UF/275V	
CY3,4	△ 31-F1102MD058	C.DIS 1000PF/400V	
D101,104,105,213	33-RIN414814	DIODE 1N4148	
D103,106,107,203, D204,208,209	33-RBYV-26E	DIODE BYV-26E	
D201	33-RSTPR1620CT	DIODE STPR1620CT	
D205	33-RSB56012	DIODE SB560	
D207	33-RSB160	DIODE SB160	
D301	△ 33-RIN400712	DIODE 1N4007	
D401,402	33-SBAS32L18	DIODE BAS32L	
F1	△ 38-T40A052	FUSE 250V 4A	
L201	37-C8201103	CHOKO 5UH - DR5X25	
L202,204	37-C8201101	CHOKO 16UH - DR6.5x8	
L203	37-C8201201	CHOKO 5UH - DR8X10	
L205	37-C4330102	INDUCTOR 22UH	
LF2	37-C8201202	CHOKO 20MH	
LF1	37-C8201203	CHOKO 8.3MH	
Q102	△ 34-FFQPE8N6026	TR - FQPF8N60C	
Q201,202,502	34-GC181531	TR - 2SC1815	
Q301,302	34-F2N700011	TR - 2N7000T	
Q501	34-GA101531	TR - 2SA1015	
T1	△ 42-M82012P01	TRANSFORMER ER35	
T2	△ 42-M82012P02	TRANSFORMER EE22	
U1	32-SUC3843BD	IC - UC3843BD1	
U2	LTV-817-PRC	IC - LTV-817-PRC	
U3	△ LTV-817-PRA	IC - LTV-817-PRA	
U4	△ 32-TOP233Y41	IC - TOP233Y	
U5,U6	32-TL431AC	IC - TL431ACZ	
ZD101	33-E1N4748A18	ZENER DIODE 19.8-24.2V	
ZD201	33-E1N5231B12	ZENER DIODE 5.1V 0.5W	
ZD301,302,501	33-ETZX12D24	ZENER DIODE 12.2-12.7V	
ZD303	33-SBZX84C518	ZENER DIODE 5.1V 0.25W	

PL-D2100A

POWER PCB



CONTROL PCB ASSY - TOP

REF. NO	PARTS NO.	DESCRIPTION	REMARKS
	APE200751-0003	CONTROL PCB ASSY	
	LVC200751-0302	CONTROL PCB	
D301-D303	RAD114148-0010	DIODE - IN4148	
DP301	KLV000016-0020	VFD VA84X9PA	
JK301	CJM135006-3010	PHONE JACK D3.5MM 5PIN	
SN301	RHO000638-2001	SENSOR 2.7-5.5V 38KHZ	
TA302-TA310	MAW060001-0010	TACT SW SKHVB3520	
XL301	JRN140001-0010	RESONATOR 2PIN 455KHZ	
ZD301	RAZ005006-0030	DIODE ZENER 6.0V-6.3V	

CONTROL PCB ASSY - BOTTOM

REF. NO	PARTS NO.	DESCRIPTION	REMARKS
IC301	RCI006311-0002	IC - VDTR6311A	
IC302	RCI003403-0001	IC - CM3403-29ST	
Q301	RCN201623-0001	TR - 2SC1623 (SMT)	
Q302,303	RCP005051-0001	TR - CM5051	

STANDBY PCB ASSY

REF. NO	PARTS NO.	DESCRIPTION	REMARKS
	APE200752-0003	STANDBY PCB ASSY	
	LVC200752-0302	STANDBY PCB	
LD301	KED300052-0010	LED 2X5MM (ORANGE)	
TA301	MAW060001-0010	AI TACT SW SKHVB3520	

SCART PCB ASSY [E, SAF]

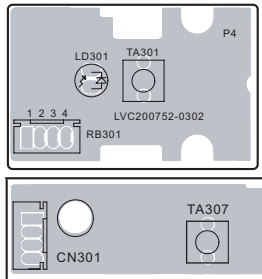
REF. NO	PARTS NO.	DESCRIPTION	REMARKS
	APE201540-0001	SCART PCB ASSY	
	LVC201540-1601	SCART PCB	
ESD3,5,6,8	RCZ005007-0021	CHIP ZENER 7.5V	
FB105-110,117-120	SCB008050-6010	CHIP BEAD 600 OHM	
JK102	CSS021001-1030	SCART SOCK 21PIN	
JK106	CJR001101-0021	RCA JACK 1PIN	

YUV PCB ASSY [HK, SG]

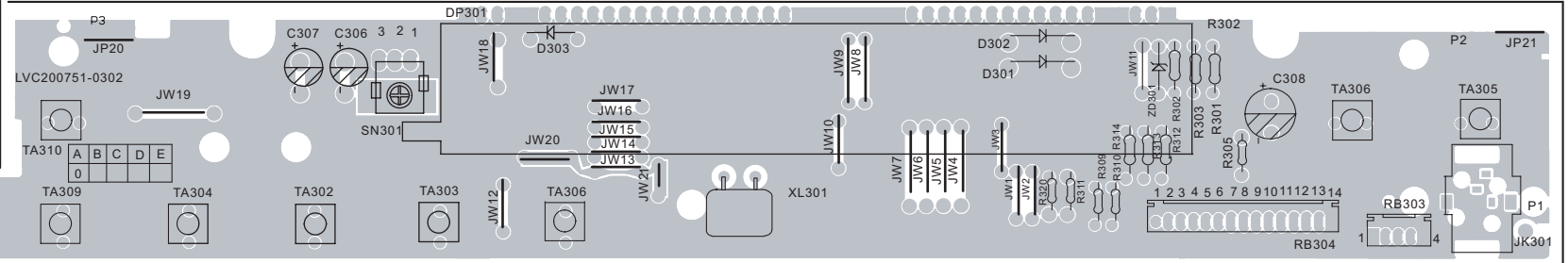
REF. NO	PARTS NO.	DESCRIPTION	REMARKS
	APE104210-0002	YUV PCB ASSY	
	LVA104210-1002	YUV PCB	
FB1-FB3	SCB008050-6010	CHIP BEAD 600 OHM	
JK1	CJR003301-0020	RCA JACK 3PIN	
JK2	CJR001101-0021	RCA JACK 1PIN	

PL-D2100A

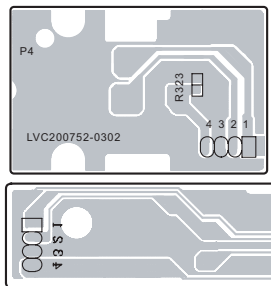
STANDBY PCB



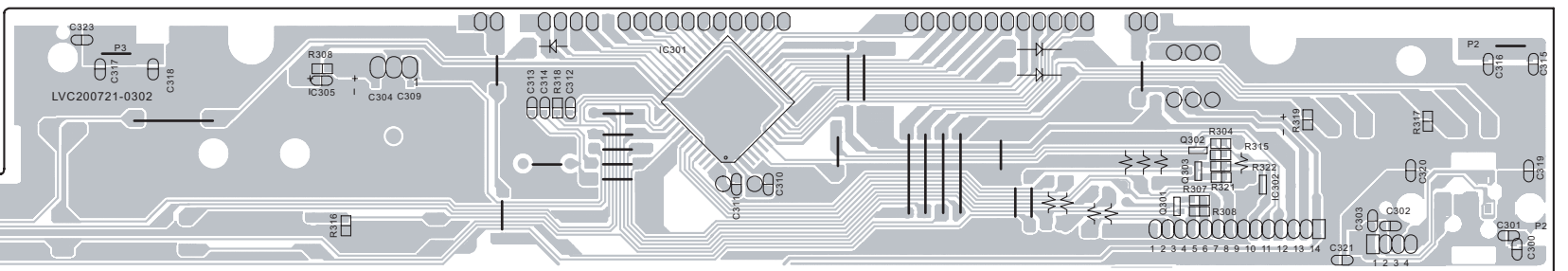
CONTROL PCB - TOP



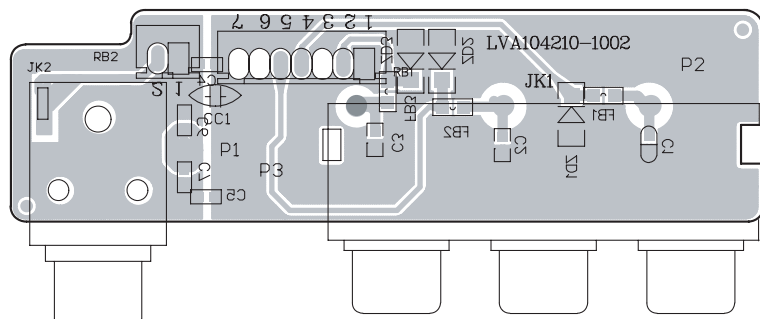
STANDBY PCB



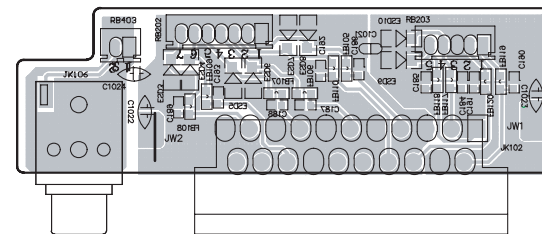
CONTROL PCB - BOTTOM



YUV PCB



SCART PCB



SUBWOOFER - AMP PCB ASSY

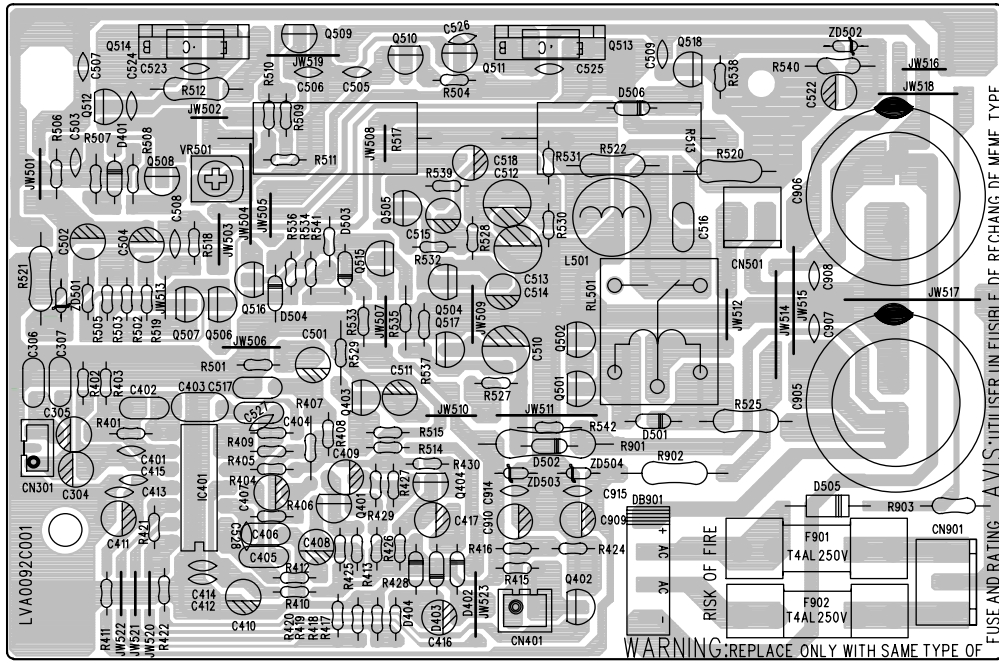
REF. NO	PARTS NO.	DESCRIPTION	REMARKS
	APE100092-0004	AMP PCB ASSY	
	LVA100092-0001	AMP PCB	
BD901	⚠ RHD204010-0011	BRIDGE RS402L 4A	
C905,906	⚠ PVE039570-4720	CE. 4700UF/50V	
CN301	CCN200000-0103	CONNECTOR 3PIN	
CN401	CCN250000-0102	CONNECTOR B2B-XH-A	
CN901	CCN396010-0103	CONNECTOR 3PIN	
D401-404,502, D503,504,506	RAD114148-0010	DIODE 1N4148	
D501,505	RAD114001-0010	DIODE RECTIFIER 1N4001	
F901,902	⚠ KSA020400-0121	FUSE 4A 250V	
IC401	RHI000740-0001	IC - TL074CN	
L501	SIL001003-1090	RF COIL 1uH	
Q401-404,501, Q502,504,505, Q509,510,516,517	RAN200945-0001	TR - 2SC945P	
Q506-508,515,518	RAP200733-0001	TR - 2SA733Q	
Q511	RHN200965-0001	TR - 2SA965	
Q512	RHN202235-0001	TR - 2SC2235	
Q513	RHP201941-0001	TR - 2SA1941	
Q514	RHN205198-0001	TR - 2SC5198	
RL501	MRL012005-0010	RELAY RPA-12V	
ZD501	RAZ005012-0010	DIODE ZENER 11.9-12.4V	
ZD502-504	RAZ005015-0020	DIODE ZENER 14.5-15.1	

SUBWOOFER - LED PCB ASSY

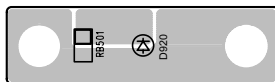
REF. NO	PARTS NO.	DESCRIPTION	REMARKS
	APE100102-0022	LED PCB ASSY	
	LVA100102-0021	LED PCB	
D920	KED630052-0010	LED 2X5MM BLUE/ORANGE 2PIN	

PL-D2100A

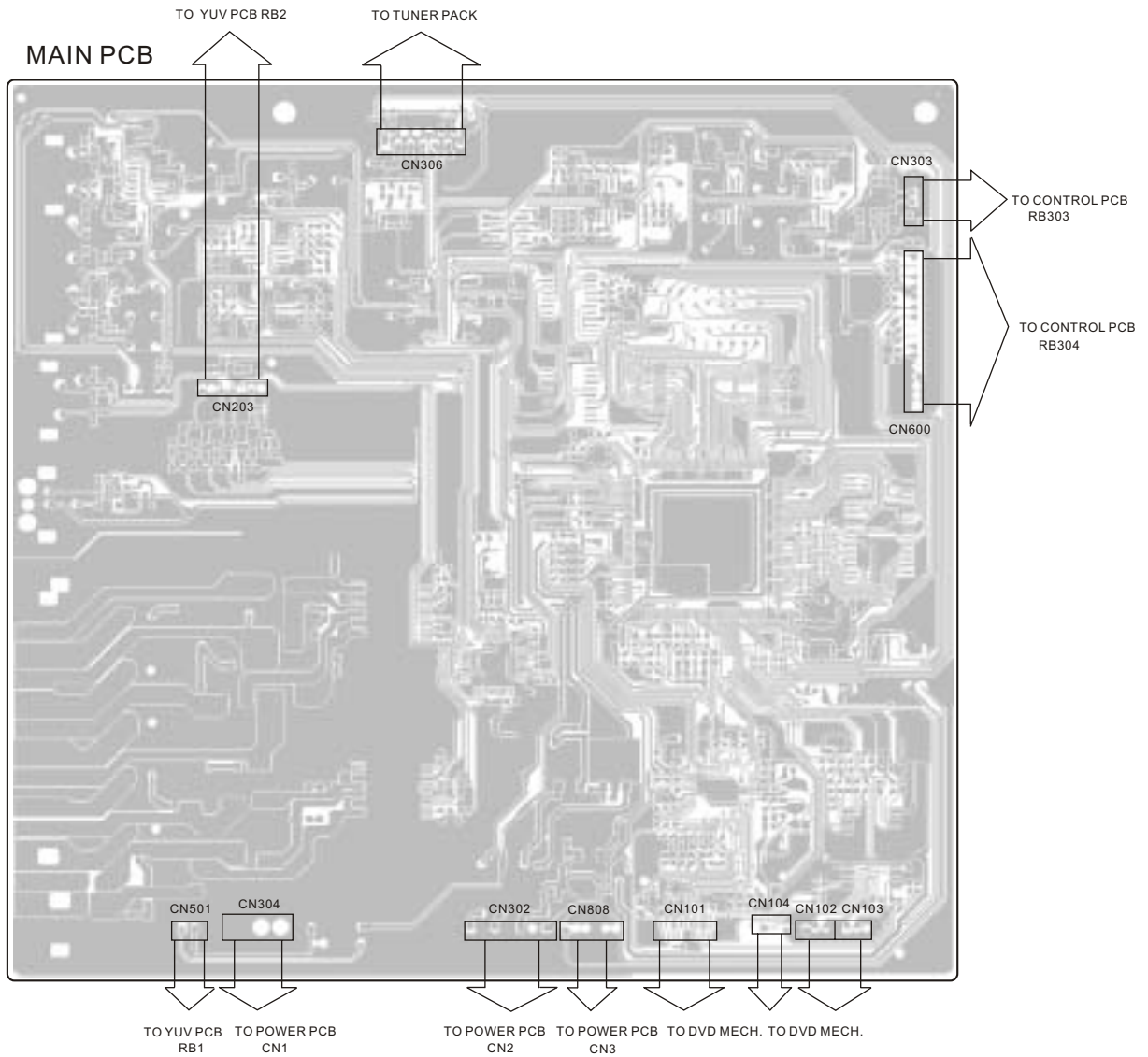
SUBWOOFER - AMP PCB



SUBWOOFER - LED PCB



4 WIRING DIAGRAM



PL-D2100A

5 INCLUDED ACCESSORIES

INCLUDED ACCESSORIES

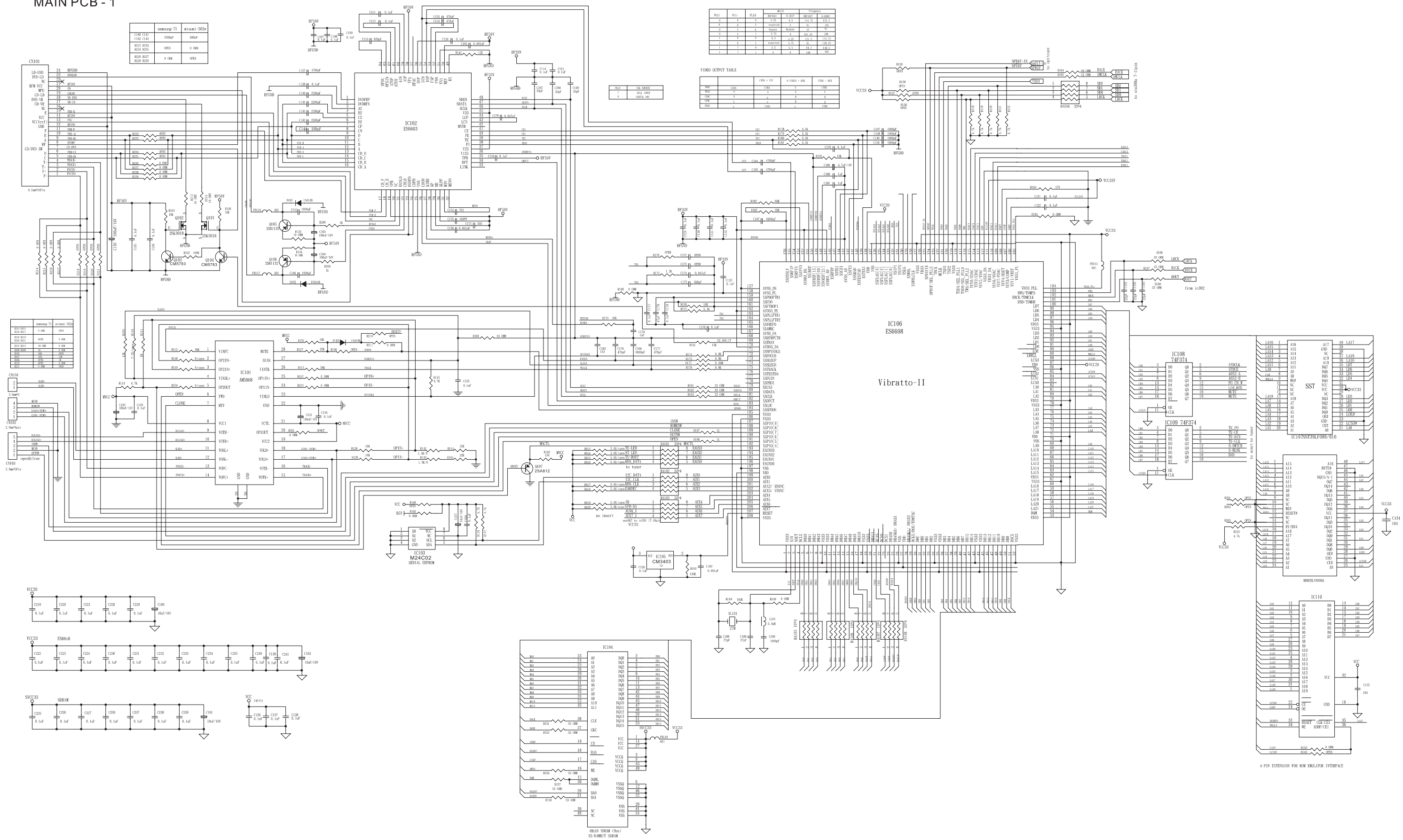
REF. NO	PARTS NO.	DESCRIPTION	REMARKS
	YOM100271-0Z05	INSTRUCTION BOOK-ENG [E, SAF]	
	YOM100271-0Z07	INSTRUCTION BOOK - SPANISH/FRENCH/ITALY/GERMANY [E, SAF]	
	YOM100271-0Z06	INSTRUCTION BOOK - ENG [HK, SG]	
	VTA100002-0010	LOOP ANT W/2P 2.5mm x 1	
	VTA400003-0010	FM ANTENNA 1000mm x 1	
	VRC101002-0030	RCA CABLE 5000MM	
	VRC101008-1020	RCA CABLE 1500MM	
	FBY006315-0003	BATTERY (AA, R6, SUM-3) x 2	
	VWR333BB-0090	SPEAKER CABLE x 5	
	AIR154015-3301	REMOTE CONTROL	

PL-D2100A

TEAC

TEAC CORPORATION	3-7-3 Nakacho, Musashino-shi, Tokyo 180-8550, Japan Phone:(0422)52-5081
TEAC AMERICA, INC.	7733 Telegraph Road, Montebello, California 90640 Phone: (323)726-0303
TEAC CANADA LTD.	5939 Wallace Street, Mississauga, Ontario L4Z 1Z8, Canada Phone: (905)-890-8008
TEAC MEXICO, S.A.De C.V.	Campesinos 184,Col. Granjas Esmeralda, 09810, Mexico Phone: (525)-581-5500
TEAC UK LIMITED	5 Marlin House, Croxley Business Park, Watford, Hertfordshire, WD18 8TE, U.K. Phone: 01923-819699
TEAC DEUTSCHLAND GmbH	Bahnstrasse 12, 65205 Wiesbaden-Erbenheim, Germany Phone:0611-71580
TEAC FRANCE S.A.	17, Rue Alexis-de-Tocqueville, CE 005 92182 Antony Cedex, France Phone:(1)42.37.01.02
TEAC NEDERLAND BV	Oeverkruid 15,NL-4941 W Raamsdonksveer, Nederland Phone:0162-510210
TEAC BELGIUM NV/SA.	c/o TEAC NEDERLAND BV, Oeverkruid 15, NL-4941 W Raamsdonksveer, Nederland Phone:+31-162-510860
TEAC ITALIANA S.p.A.	Via C, Cantu 11, 20092 Cinisello Balsamo, Milano, Italy Phone:02-66010550
TEAC AUSTRALIA PTY., LTD.	280 William Street, Melbourne, VIC 3000, Australia Phone:(03)9672-2400
A.B.N.	80 005 408 462

MAIN PCB - 1



VIDEO OUTPUT TABLE

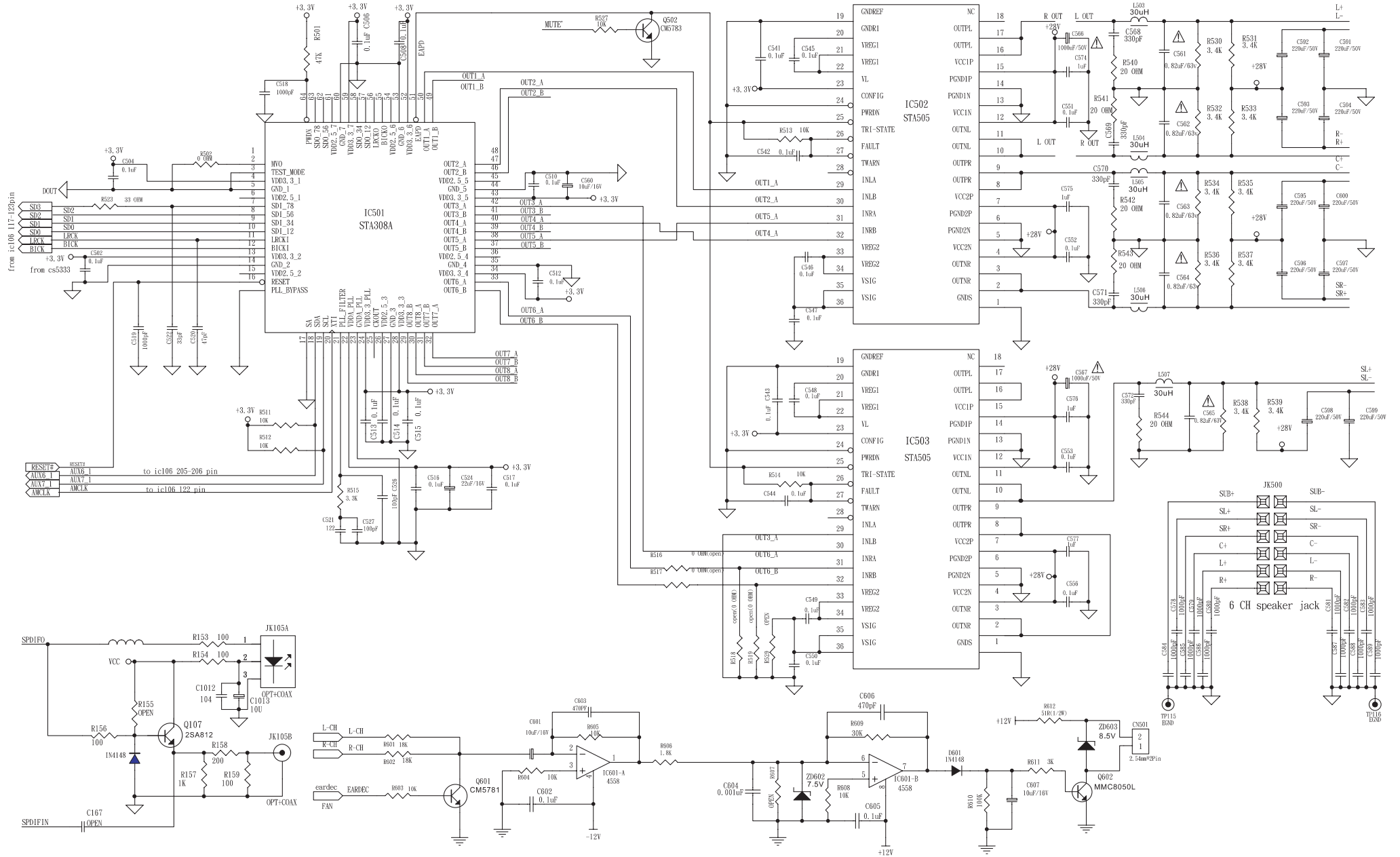
Signal	Pin	Source	Pin	Source
Y	1	ES6603	1	ES6603
PB	2	ES6603	2	ES6603
PR	3	ES6603	3	ES6603
Y	4	ES6603	4	ES6603
PB	5	ES6603	5	ES6603
PR	6	ES6603	6	ES6603
Y	7	ES6603	7	ES6603
PB	8	ES6603	8	ES6603
PR	9	ES6603	9	ES6603
Y	10	ES6603	10	ES6603
PB	11	ES6603	11	ES6603
PR	12	ES6603	12	ES6603
Y	13	ES6603	13	ES6603
PB	14	ES6603	14	ES6603
PR	15	ES6603	15	ES6603
Y	16	ES6603	16	ES6603
PB	17	ES6603	17	ES6603
PR	18	ES6603	18	ES6603
Y	19	ES6603	19	ES6603
PB	20	ES6603	20	ES6603
PR	21	ES6603	21	ES6603
Y	22	ES6603	22	ES6603
PB	23	ES6603	23	ES6603
PR	24	ES6603	24	ES6603

4-PIN EXTENSION FOR ROW EXELATER INTERFACE

4-PIN EXTENSION FOR ROW EXELATER INTERFACE

PL-D2100A
DVD HOME THEATER SYSTEM

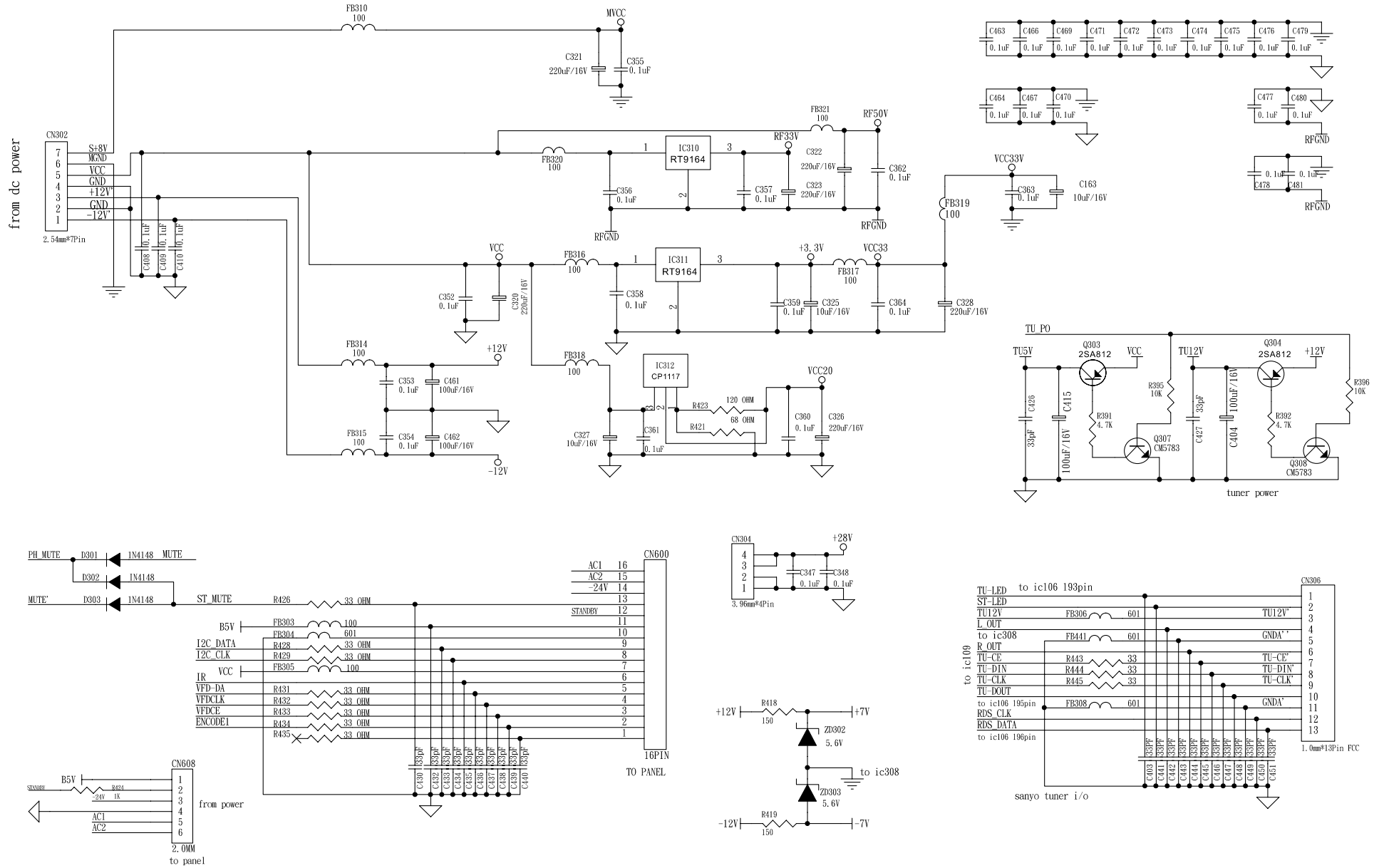
MAIN PCB - 2



PL-D2100A

DVD HOME THEATER SYSTEM

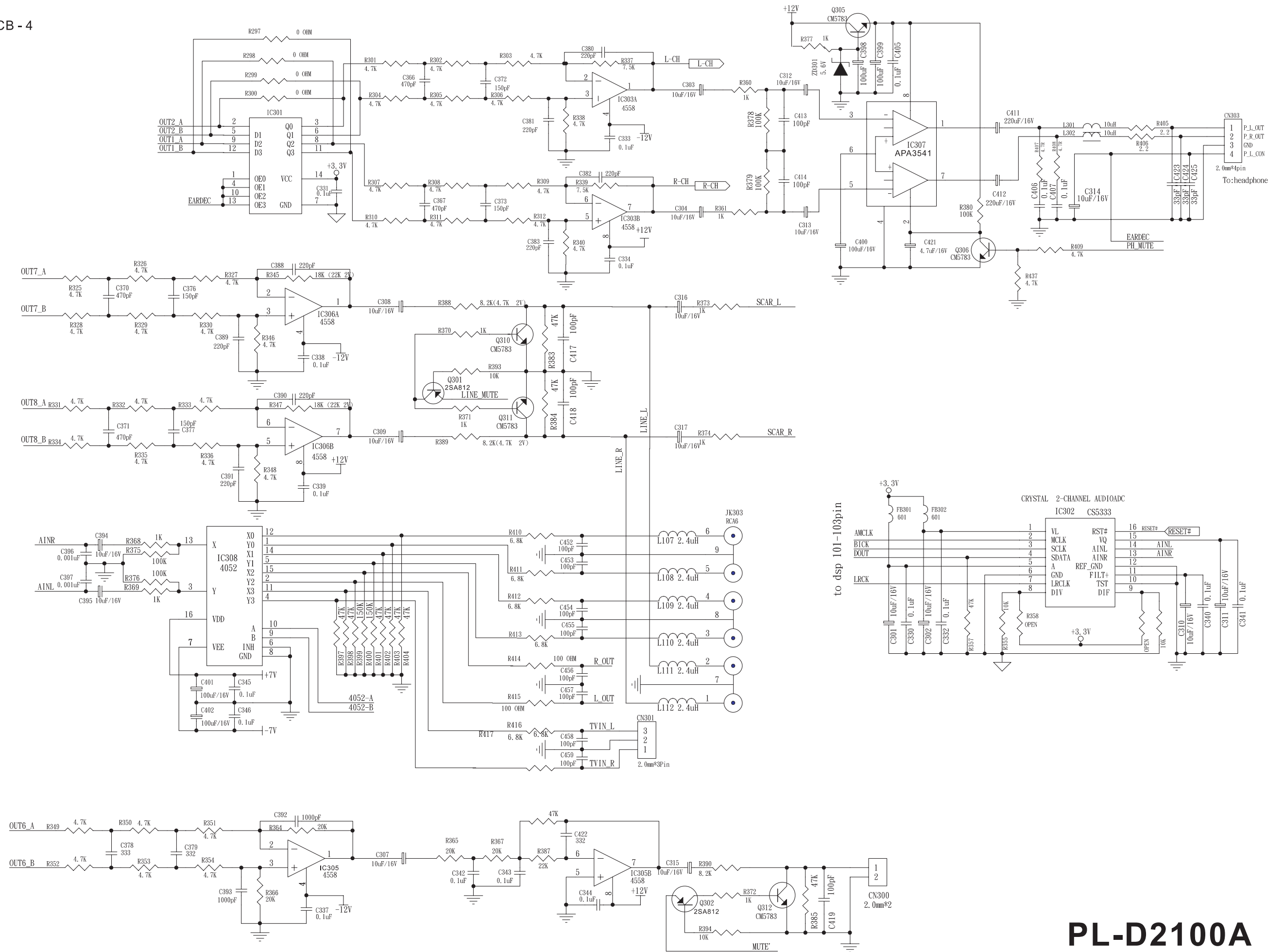
MAIN PCB - 3



PL-D2100A

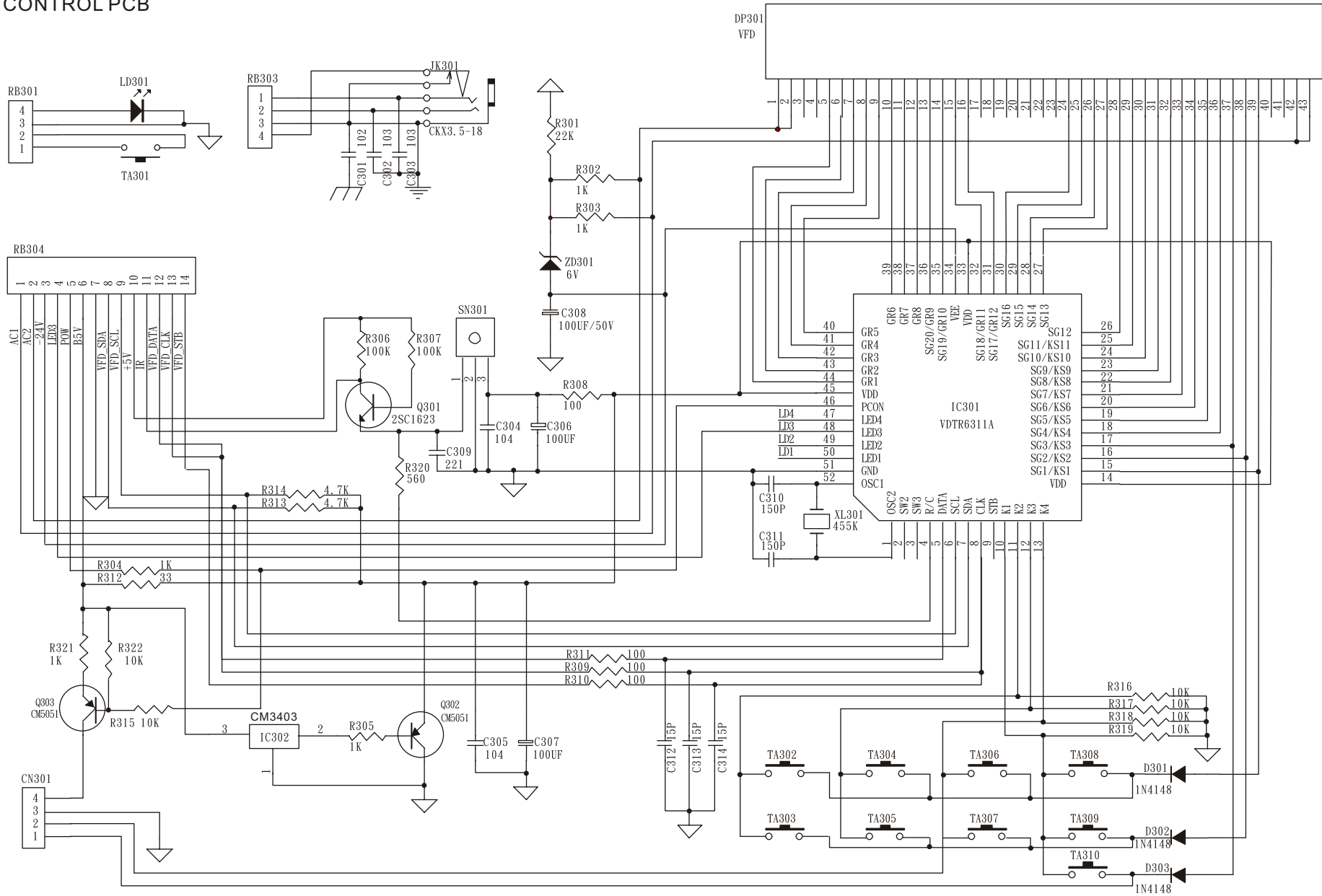
DVD HOME THEATER SYSTEM

MAIN PCB - 4



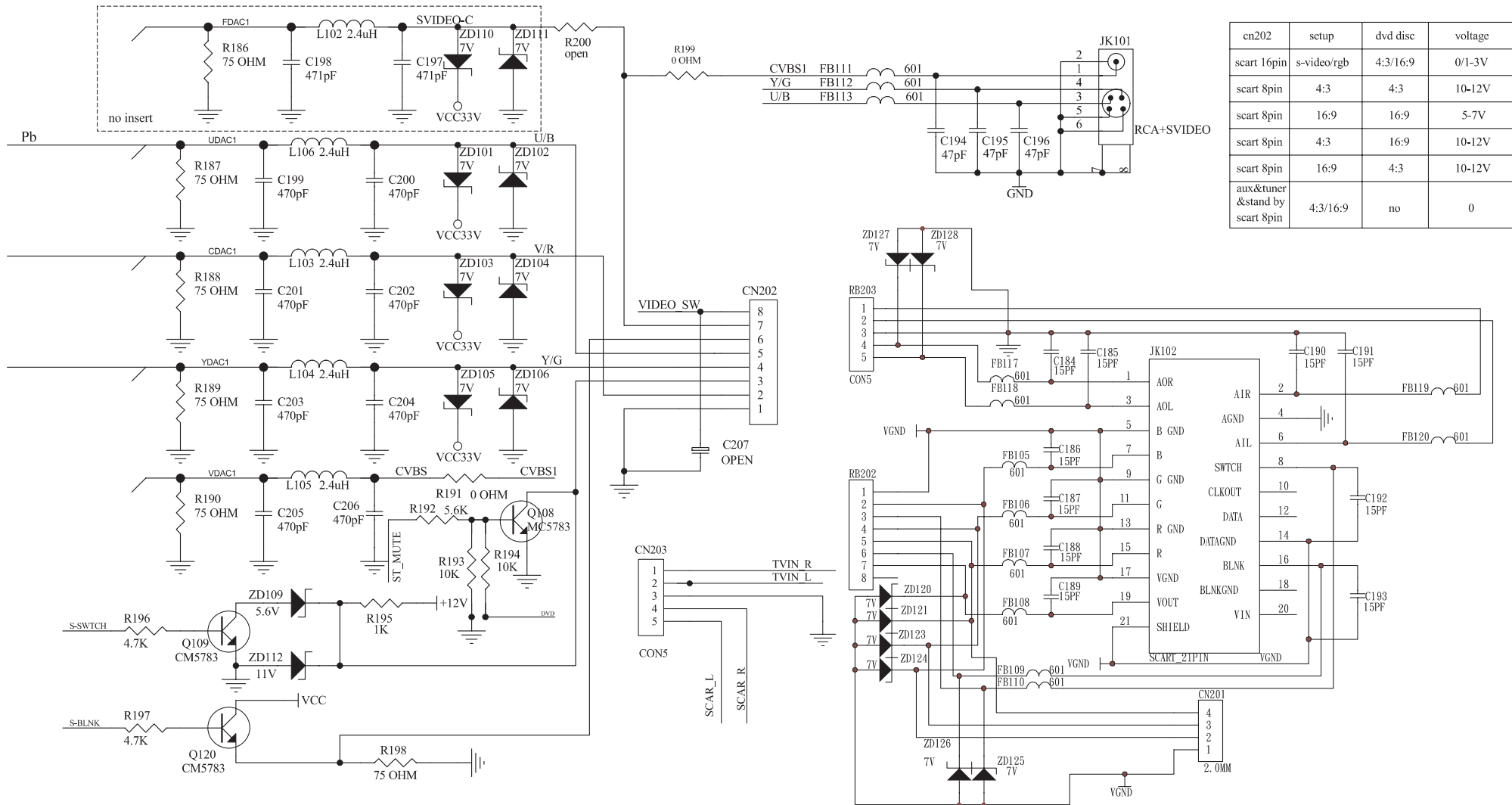
PL-D2100A
DVD HOME THEATER SYSTEM

CONTROL PCB



PL-D2100A
DVD HOME THEATER SYSTEM

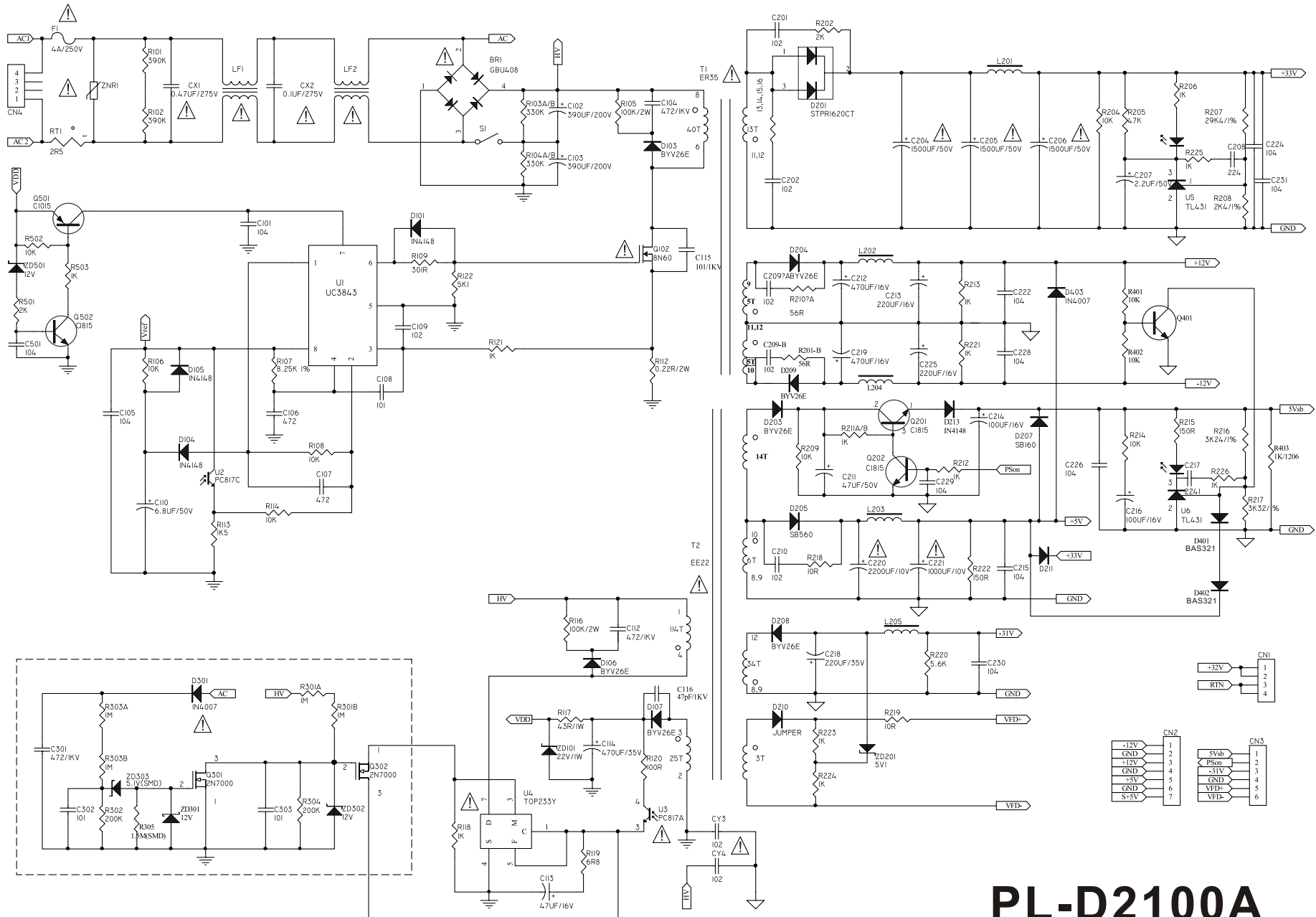
SCART & YUV PCB



cn202	setup	dvd disc	voltage
scart 16pin	s-video/rgb	4:3/16:9	0/1-3V
scart 8pin	4:3	4:3	10-12V
scart 8pin	16:9	16:9	5-7V
scart 8pin	4:3	16:9	10-12V
scart 8pin	16:9	4:3	10-12V
aux&tuner &stand by scart 8pin	4:3/16:9	no	0

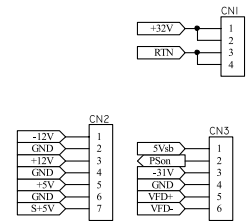
PL-D2100A
DVD HOME THEATER SYSTEM

POWER PCB

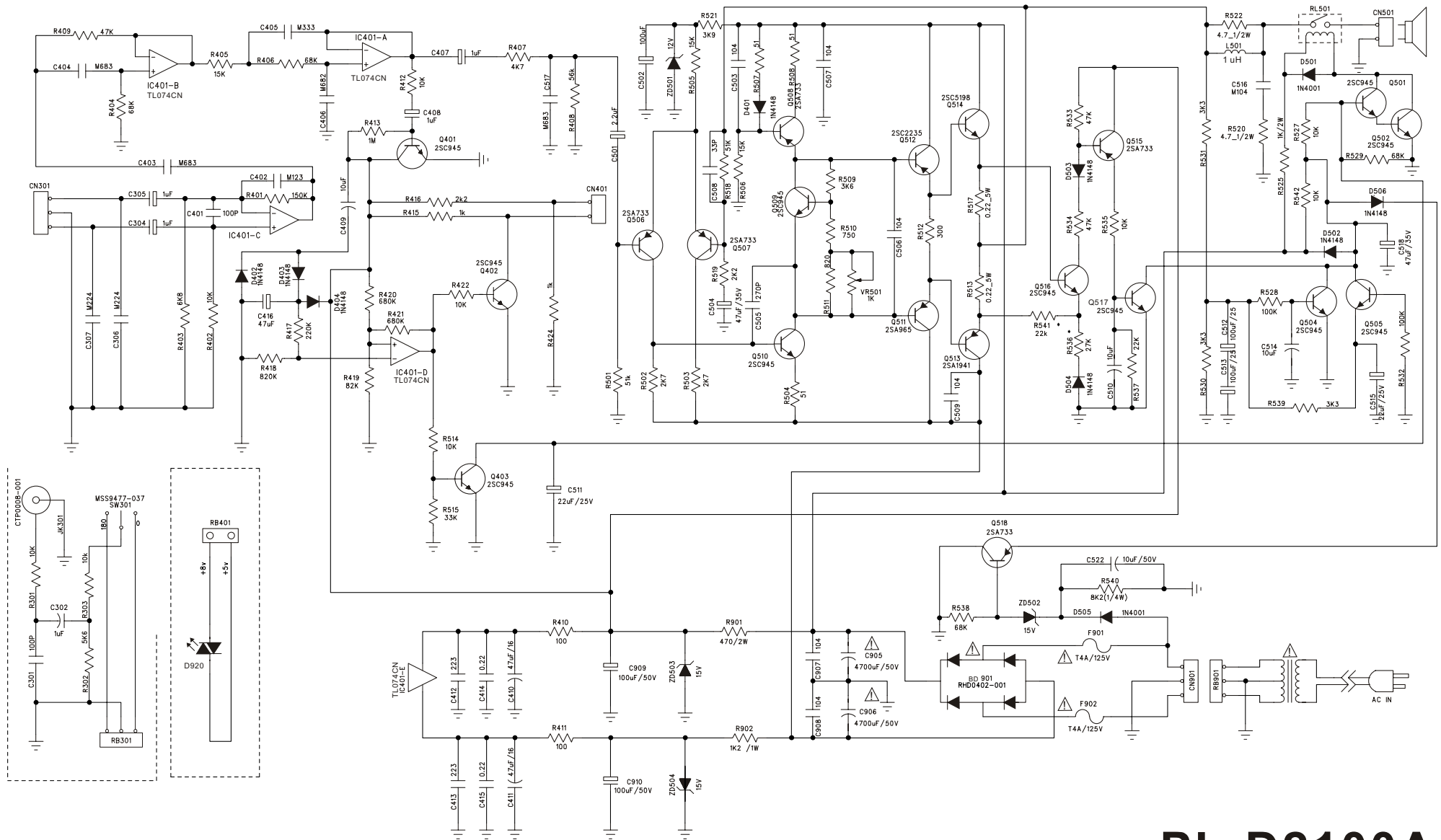


PL-D2100A

DVD HOME THEATER SYSTEM



SUBWOOFER - AMP PCB



PL-D2100A

DVD HOME THEATER SYSTEM